



## CABLE TIE HOLDER WITH 5/16–1/2" FLANGE CLIP

### CATALOG NUMBER

**4H58CT**



### CERTIFICATIONS



### FEATURES

Used to support cables from beam flanges

Requires only a hammer to install

### PRODUCT ATTRIBUTES

Article Number: 178530

Material: Spring Steel

Finish: nVent CADDY Armour

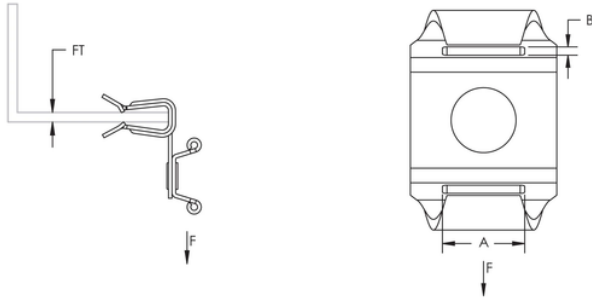
Flange Thickness: 8 – 14 mm

A: 9 mm

B: 2 mm

Static Load: 150 N

## DIAGRAMS



## WARNING

nVent products shall be installed and used only as indicated in nVent's product instruction sheets and training materials. Instruction sheets are available at [www.nvent.com](http://www.nvent.com) and from your nVent customer service representative. Improper installation, misuse, misapplication or other failure to completely follow nVent's instructions and warnings may cause product malfunction, property damage, serious bodily injury and death and/or void your warranty.

### North America

+1.800.753.9221  
Option 1 – Customer Care  
Option 2 – Technical Support

### Europe

Netherlands:  
+31 800-0200135  
France:  
+33 800 901 793

### Europe

Germany:  
800 1890272  
Other Countries:  
+31 13 5835404

### APAC

Shanghai:  
+ 86 21 2412 1618/19  
Sydney:  
+61 2 9751 8500



Our powerful portfolio of brands:  
[nVent.com](http://nVent.com) **CADDY ERICO HOFFMAN RAYCHEM SCHROFF TRACER**

© 2022 nVent. All nVent marks and logos are owned or licensed by nVent Services GmbH or its affiliates. All other trademarks are the property of their respective owners.

nVent reserves the right to change specifications without notice.